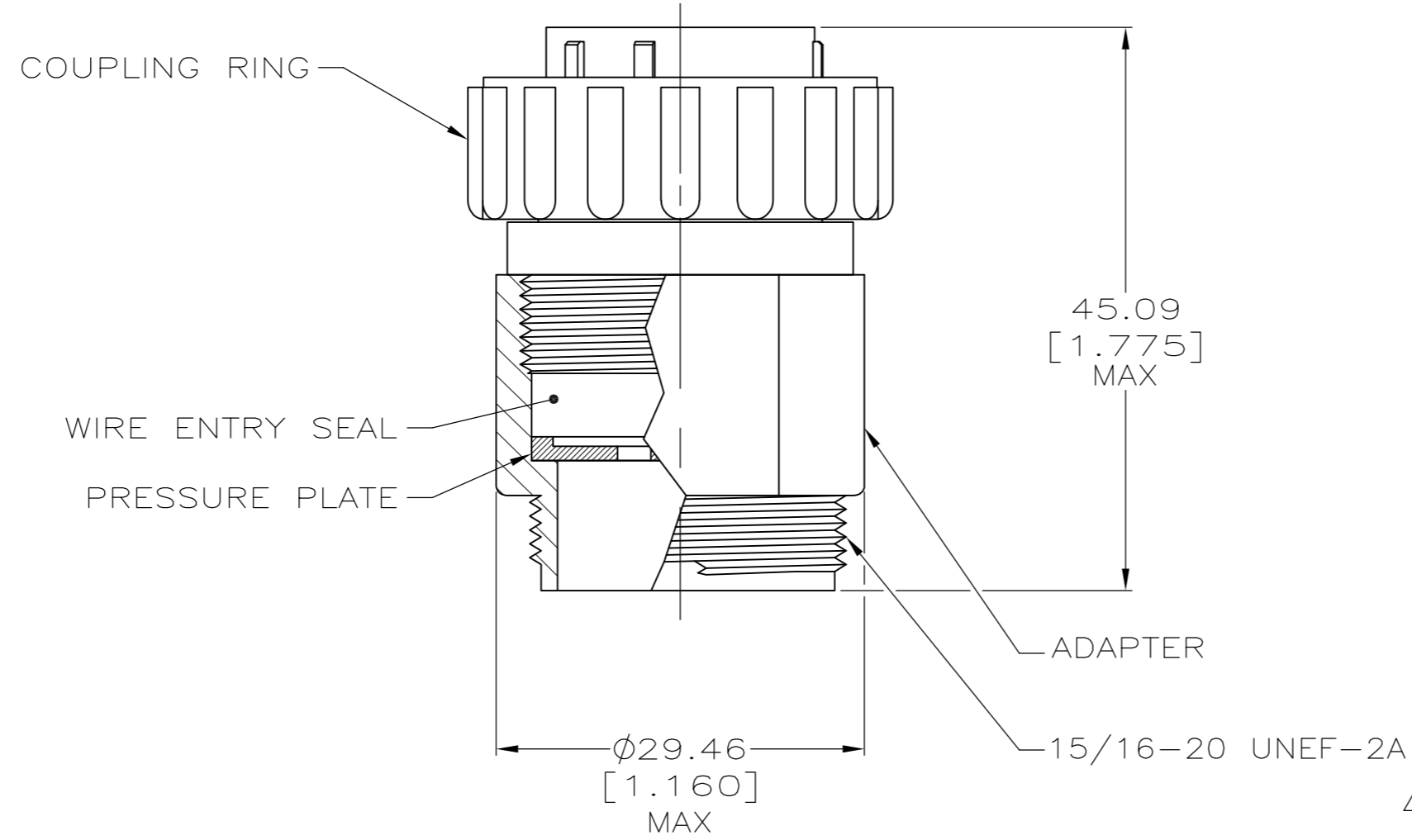
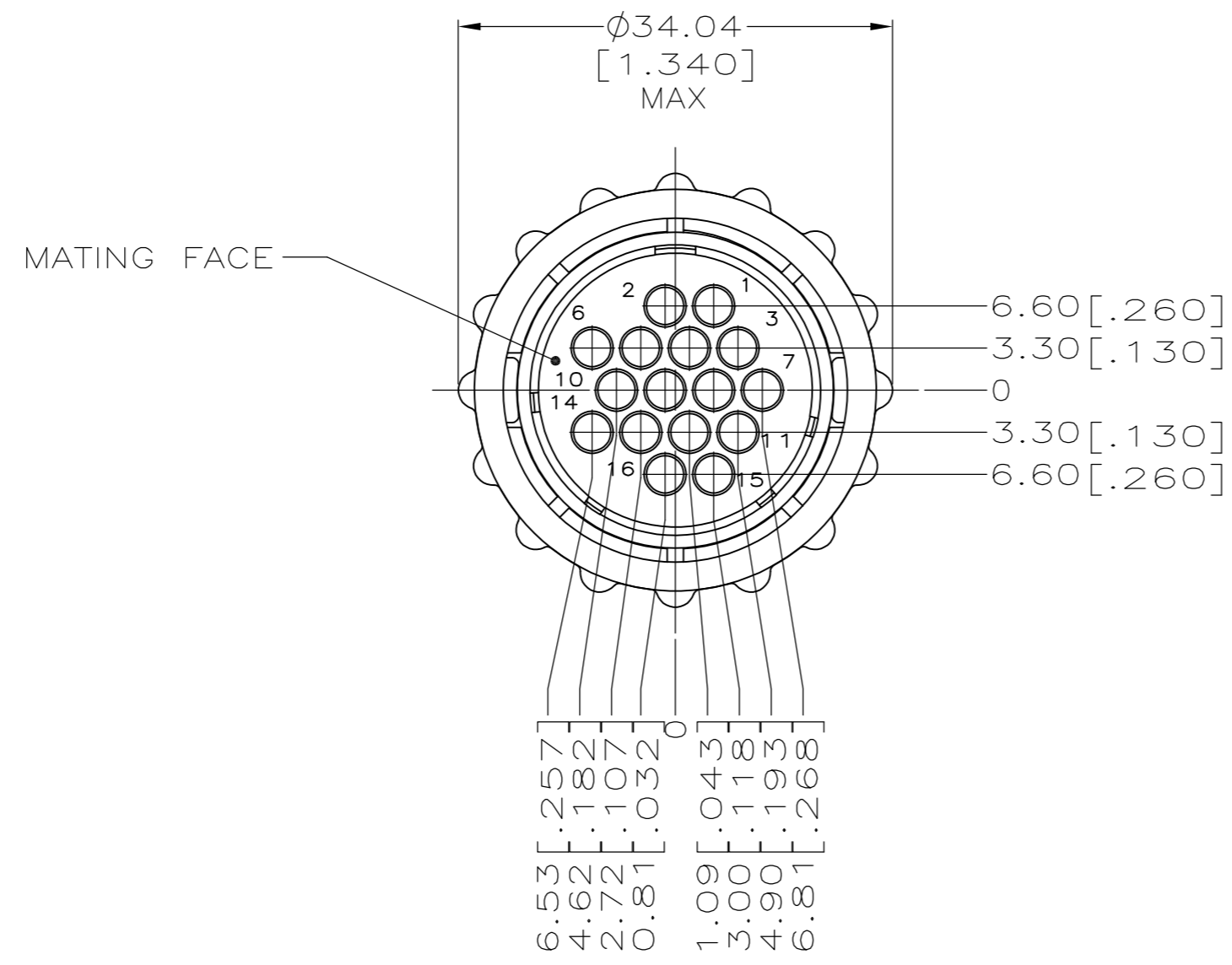


THIS DRAWING IS UNPUBLISHED. RELEASED FOR PUBLICATION
 © COPYRIGHT BY TYCO ELECTRONICS CORPORATION. ALL RIGHTS RESERVED.

LOC		DIST		REVISIONS			
P	LTR	DESCRIPTION	DATE	DWN	APVD		
FT	0	E1	REVISED PER ECO-08-032011	23DEC08	HMR	MS	



- 1 HOUSING, ADAPTER AND PRESSURE PLATE: NYLON, BLACK.
WIRE ENTRY SEAL: ELASTOMER, SEE TABLE.
COUPLING RING: POLYPHENYLENE, BLACK.
- 2 CONNECTOR WILL ACCEPT (16) MULTIMATE SOCKET CONTACTS.
- 3 HOUSING, ADAPTOR AND COUPLING RING MATERIAL: POLYESTER, PBT.
- 4 METAL COUPLING RING.

SEAL COLOR	DIA. RANGE	INSULATION	PART NUMBER
1 RED-IRON OXIDE	.065 - .120	STANDARD	796274-4
3 OBSOLETE YELLOW	.040 - .080	SMALL	796274-3
1 YELLOW	.040 - .080	SMALL	796274-2
1 RED-IRON OXIDE	.065 - .120	STANDARD	796274-1

THIS DRAWING IS A CONTROLLED DOCUMENT.

DWN L. McEACHIN 27-JAN-2000	Tyco Electronics Corporation Harrisburg, Pa 17105-3608
CHK K. DOWHOWER 27-JAN-2000	
APVD K. DOWHOWER 27-JAN-2000	
PRODUCT SPEC	
APPLICATION SPEC	NAME ASSEMBLY, PLUG, STANDARD SEX, 17-16, STANDARD OR SMALL INSULATION DIA., SEALED
WEIGHT -	SIZE A2 CAGE CODE 00779 DRAWING NO. C=796274 RESTRICTED TO -
CUSTOMER DRAWING	SCALE 2:1 SHEET 1 OF 1 REV E1